

AC_Wiring



File: AC_Wiring.kicad_sch

PSU



File: PSU.kicad_sch

CPU Board



File: CPU_board.kicad_sch

GPiB Board



File: GPiB_Board.kicad_sch

Floppy Controller Board



File: Floppy_Controller_Board.kicad_sch

GPiB Connector and DIP SW



File: GPiB_connector.kicad_sch

JDat aka YL3AKC

Sheet: /

File: GRID_2102.kicad_sch

Title:

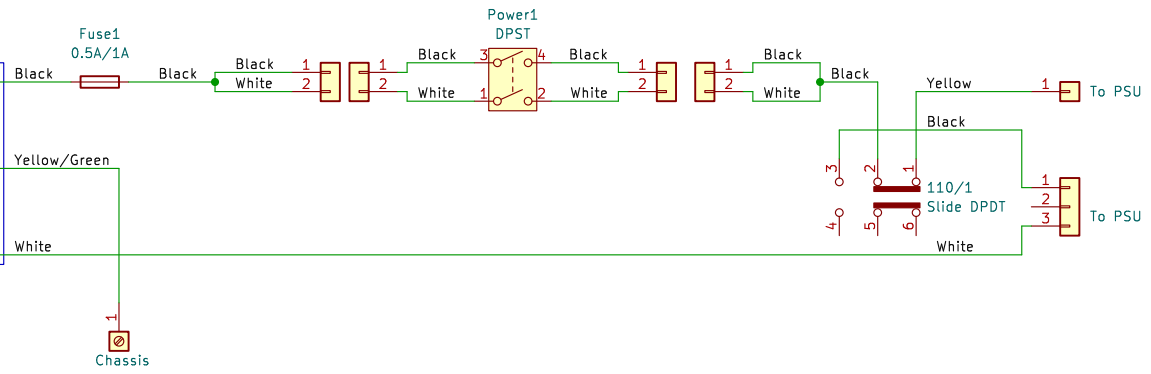
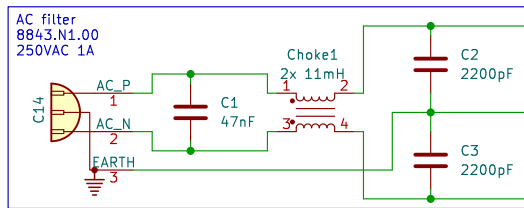
Size: A4

Date:

KiCad E.D.A. 8.0.3

Rev:

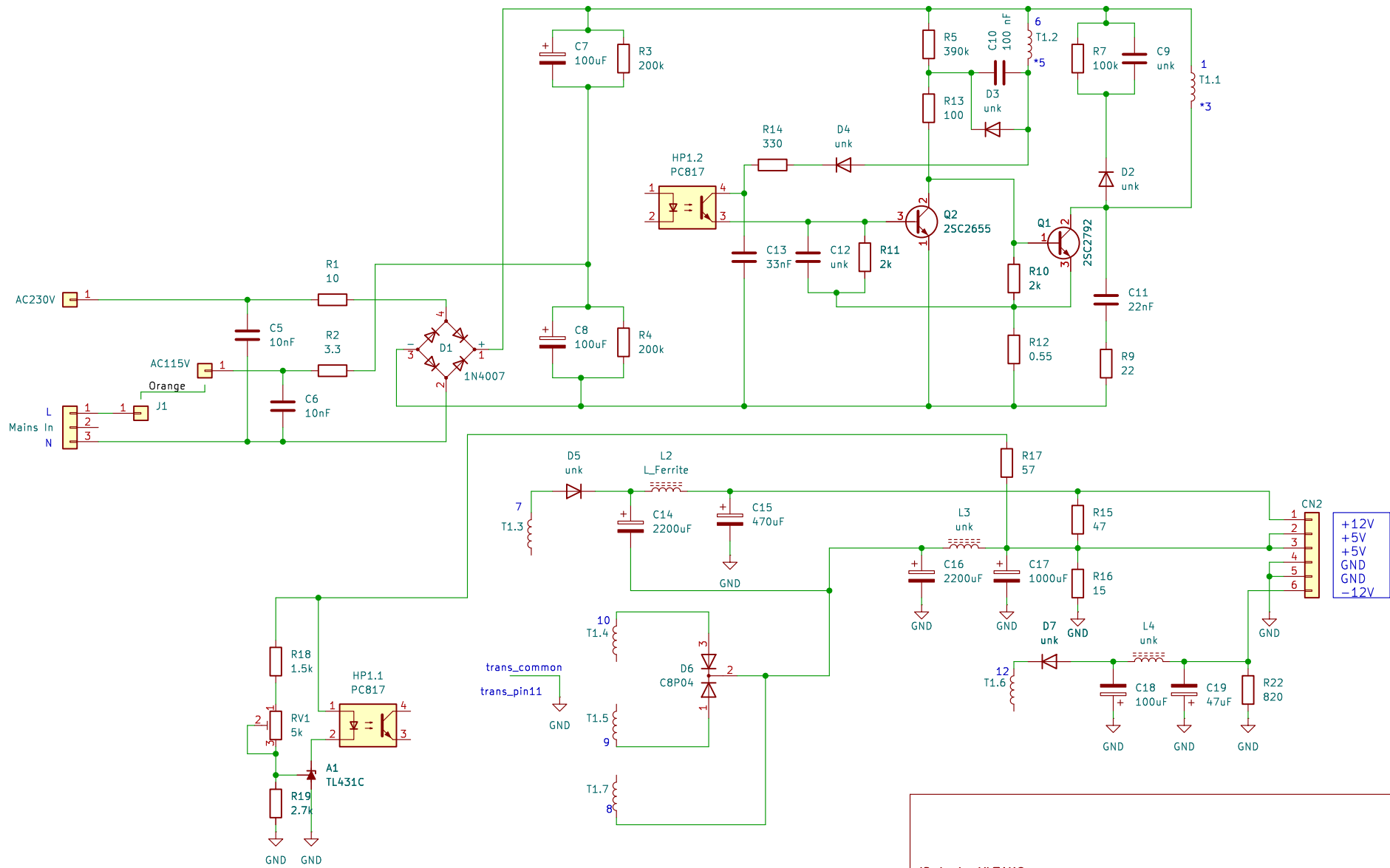
Id: 1/7



JDat aka YL3AKC	
Sheet: /AC_Wiring/ File: AC_Wiring.kicad_sch	
Title:	
Size: A4	Date:
KiCad E.D.A. 8.0.3	Rev: Id: 2/7

Model 3040-1
 Wacom
 Power General
 WA-07V0
 Made in Japan
 94V0

Transformer core:
 TDK E40



JDat aka YL3AKC

Sheet: /PSU/
 File: PSU.kicad_sch

Title:

Size: A4
 KiCad E.D.A. 8.0.3

Date:

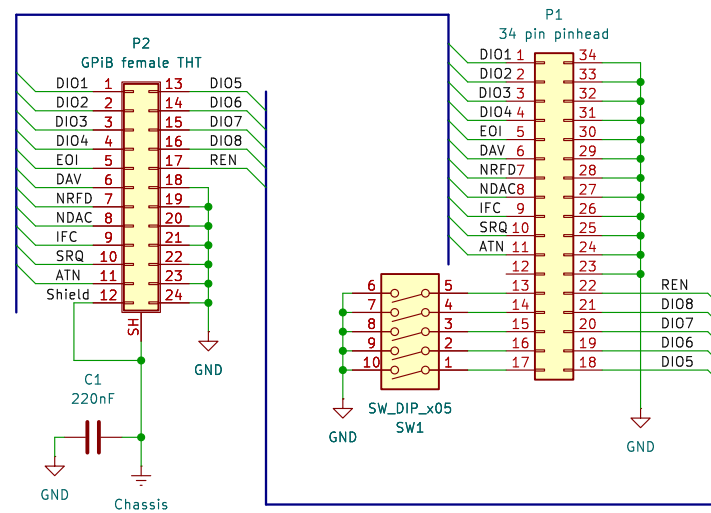
Rev:

Id: 3/7

GRiD (C) 1983
 GPIB CONNECTOR BD
 REV 0
 ASSY NO. 1000783-00
 1000784-00 (bottom)
 4883 (bottom)

Cable:
 34 pin flat cable
 IDC without key
 Cable bends to pin1 side
 100565-00
 REV E

DIP switches:
 They actually are
 Single pole dual throw (SPDT)
 Mfg by CTS
 206-215 (model?)
 7841 (date code?)



JDat aka YL3AKC

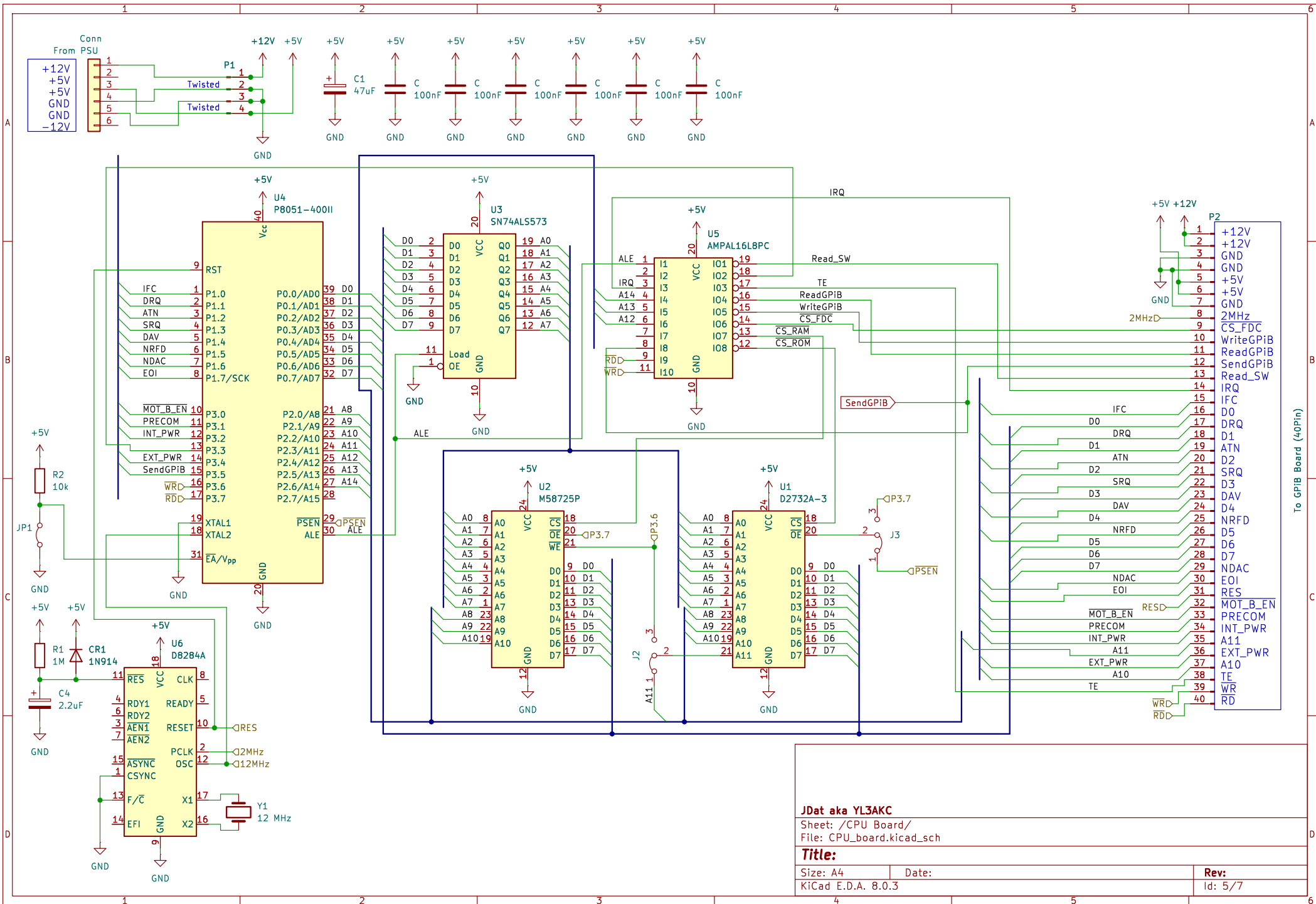
Sheet: /GPIB Connector and DIP SW/
 File: GPIB_connector.kicad_sch

Title:

Size: A4
 KiCad E.D.A. 8.0.3

Date:

Rev:
 Id: 4/7



JDat aka YL3AKC

Sheet: /CPU Board/
File: CPU_board.kicad_sch

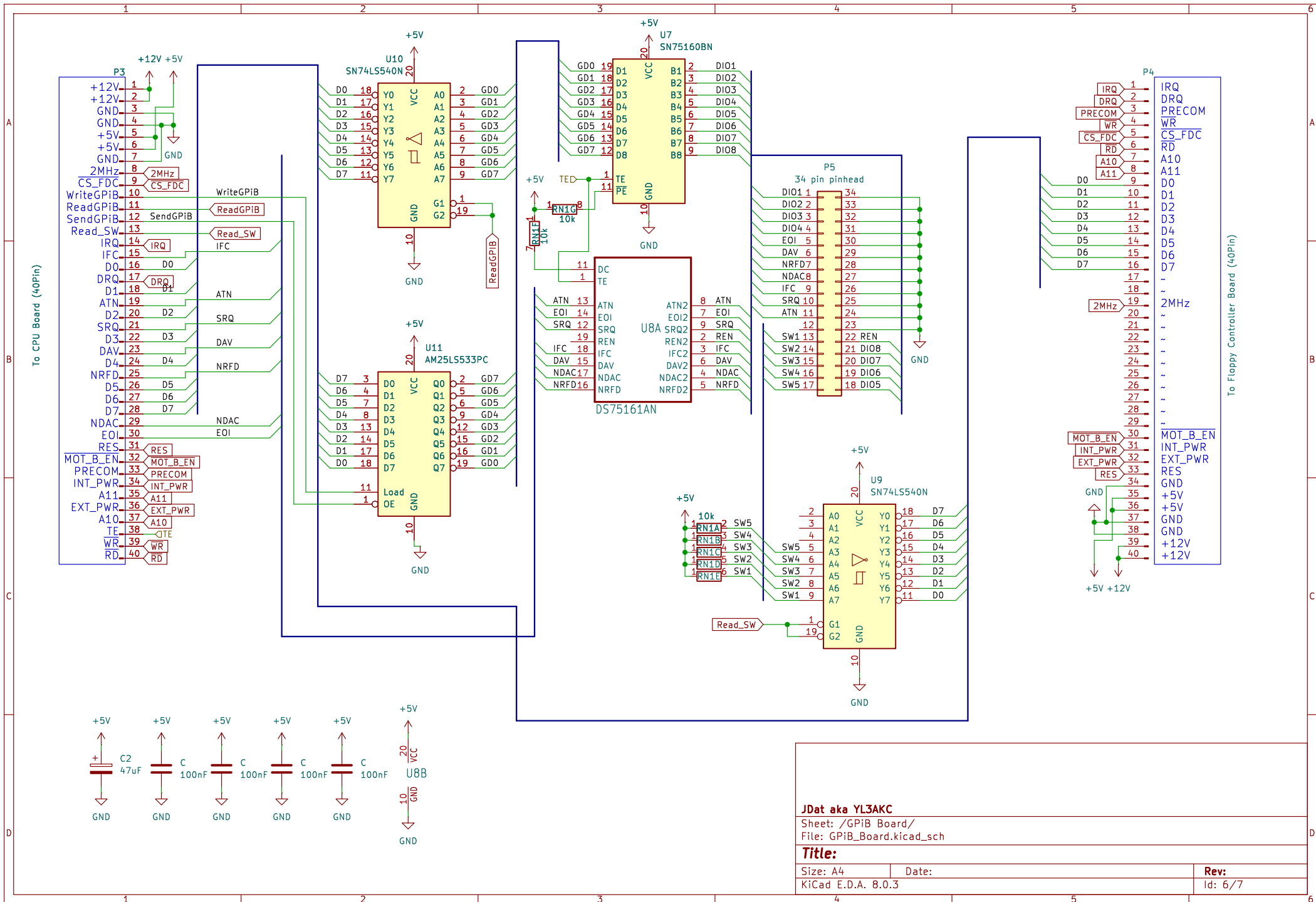
Title:

Size: A4
KiCad E.D.A. 8.0.3

Date:

Rev:

Id: 5/7



JDat aka YL3AKC

Sheet: /GPIB Board/
File: GPIB_Board.kicad_sch

Title:

Size: A4
KiCad E.D.A. 8.0.3

Date:

Rev:

Id: 6/7

